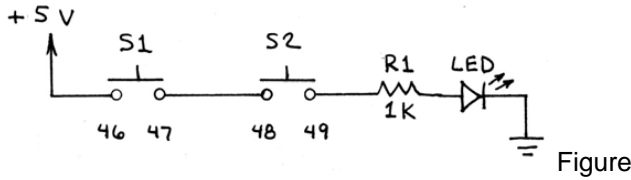


**HANDS-ON LAB – MODULE 6 – Results**

Your Name: \_\_\_\_\_ Seat \_\_\_\_\_ Date \_\_\_\_\_

**BASIC DIGITAL LOGIC**

**SERIES SWITCH “AND” GATES**



6.1. Series Switch AND Logic

S1	S2	LED
OFF	OFF	
OFF	ON	
ON	OFF	
ON	ON	

**PARALLEL SWITCH “OR” GATES**

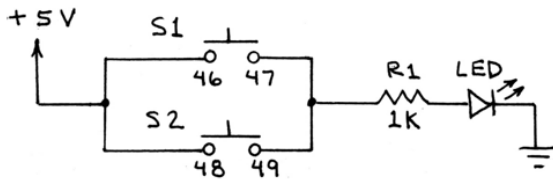


Figure 6.2. Parallel Switch OR Logic

S1	S2	LED
OFF	OFF	
OFF	ON	
ON	OFF	
ON	ON	

**CD4011 QUAD 2-INPUT NAND GATE IC**

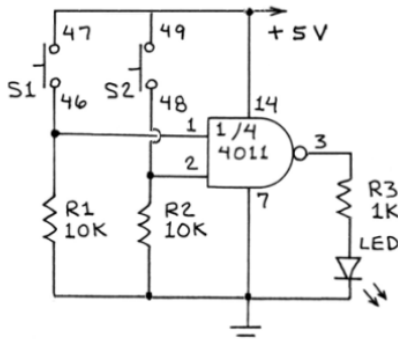


Figure 6.3. IC NAND Gate Logic

S1	S2	LED
0	0	
0	1	
1	0	
1	1	

**CD4001 QUAD 2-INPUT NOR GATE IC**

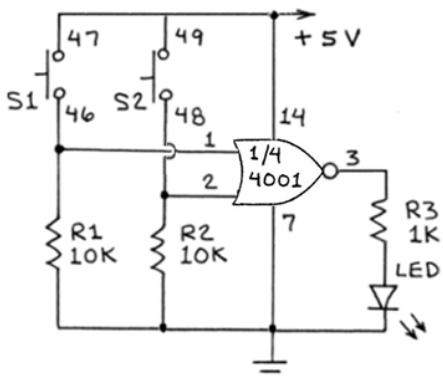


Figure 6.4. IC NOR Gate Logic

S1	S2	LED
0	0	
0	1	
1	0	
1	1	